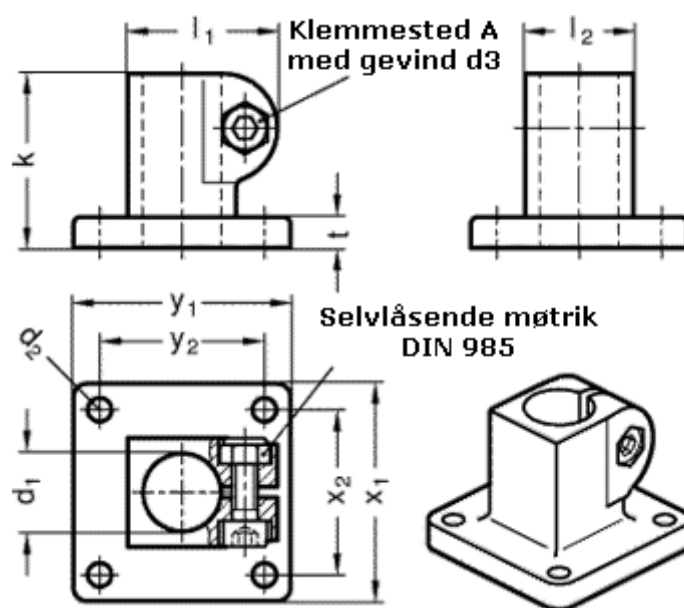


Article number: 20162B122NI

Description: E+G

Base plate clamp GN162-B12-2-NI

## Measures



Adjustable clamp lever = GN 911-M6-22 have to be ordered separately

$d_1$	= B12
$d_2$	= 5.5
$d_3$	= M 6
$k$	= 40
$l_1$	= 34.5
$l_2$	= 25
$t$	= 7

$x_1 = 50$

$x_2 = 38$

$y_1 = 50$

$y_2 = 38$